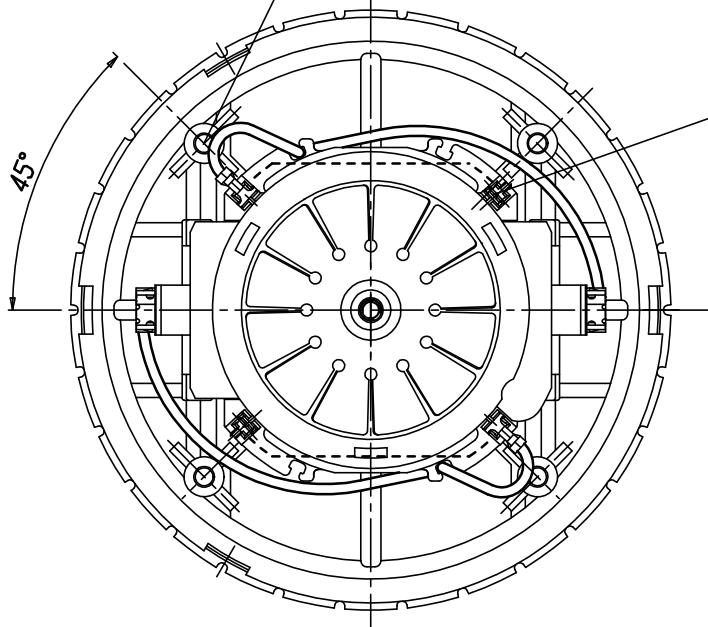


N° 4 fori  $\varnothing 4.5$  equidistanti sul  $\varnothing 117.5$   
 N° 4 holes  $\varnothing 4.5$  DIA equally spaced on  
 a  $4.626$  DIA

CONNESSIONE CON TERMINALE "POKE IN TAB" AMP Cod.Art.281622-2  
 CONNECTION WITH "POKE IN TAB" TERMINAL AMP Cod.Art.281622-2



**AMETEK**<sup>®</sup>  
 ITALIA S.r.l., VACUUM PRODUCTS

Denominazione  
 Title  
**DIMENSIONI DI INGOMBRO**  
**OVERALL DIMENSIONS**  
**MOT. BY2II.1200W.230V.**

Data  
 Date 18/06/02

Firma  
 Sign . *[Signature]*

Modello  
 Model

061300382